



BRONZE
Poppet Style
2 and 3-Way Valves
1/4" and 3/8"

**Mechanically
and
Hand
Operated
Normally
Closed**

These two-position manual valves are constructed with bronze bodies and brass and stainless steel internal parts. Two-way models may be used with air or liquid media. Three-way models are used with air only since valves exhaust to atmosphere.

Pressure Rating: 0 to 200 PSI

Valves are also available with optional Molybdenum Disulfide impregnated Buna-N seals for use with non-lubricated air. To specify, add suffix number "-25" to model number when ordering. For Viton seals, add suffix number "-26" to model number.

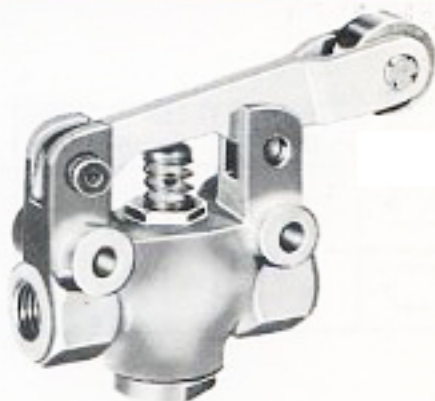
LOCKING
LEVER



HAND-LEVER



ROLLER-LEVER



ANGLE-LEVER



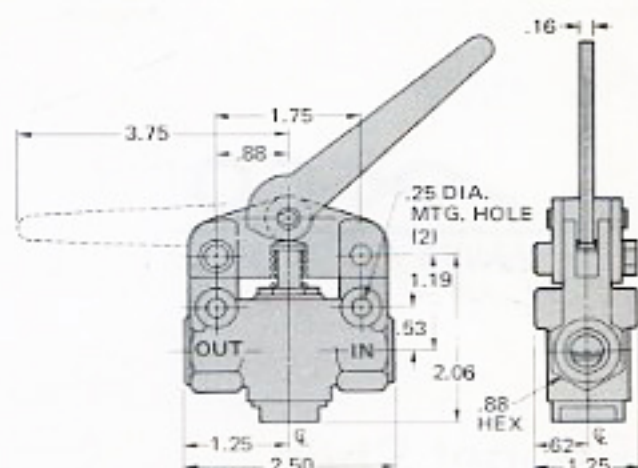
DIVISION OF



36 E. South Street
Corry, Pennsylvania 16407
(814) 665-8268

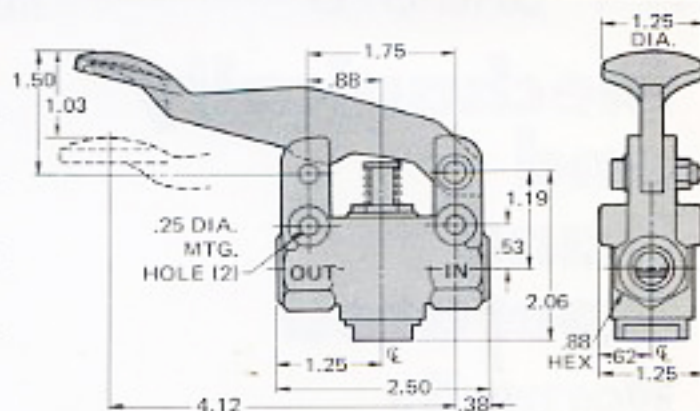
LOCKING LEVER

ANSI Symbol	Port Size (NPTF)	Cv Factor	Wgt. (Lbs.)	Model Number	
				2-Way	3-Way
	1/4"	1.21	1.25	320404	-
	3/8"	1.42		320406	-
	1/4"	1.21	1.25	-	340404
	3/8"	1.42		-	340406



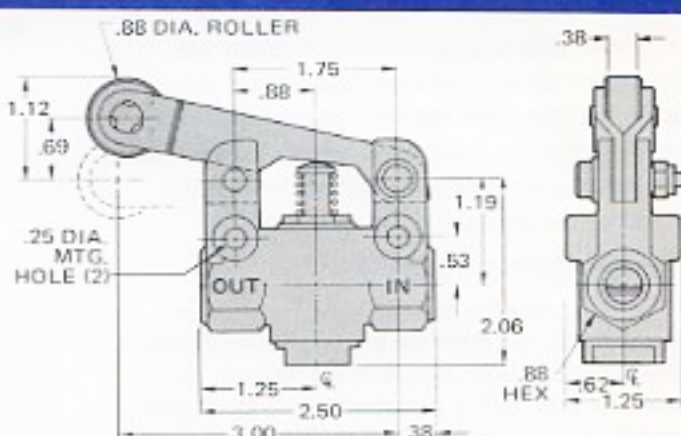
HAND-LEVER

ANSI Symbol	Port Size (NPTF)	Cv Factor	Wgt. (Lbs.)	Model Number	
				2-Way	3-Way
	1/4"	1.21	1.0	320304	-
	3/8"	1.42		320306	-
	1/4"	1.21	1.0	-	340304
	3/8"	1.42		-	340306



ROLLER-LEVER

ANSI Symbol	Port Size (NPTF)	Cv Factor	Wgt. (Lbs.)	Model Number	
				2-Way	3-Way
	1/4"	1.21	1.0	320204	-
	3/8"	1.42		320206	-
	1/4"	1.21	1.0	-	340204
	3/8"	1.42		-	340206



ANGLE-LEVER

ANSI Symbol	Port Size (NPTF)	Cv Factor	Wgt. (Lbs.)	Model Number	
				2-Way	3-Way
	1/4"	1.21	1.0	320504	-
	3/8"	1.42		320506	-
	1/4"	1.21	1.0	-	340504
	3/8"	1.42		-	340506

